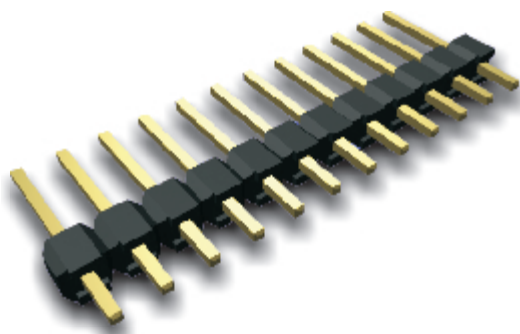


Series 710 & 750

Pin Header / Board Spacer

For Customer Made Item



SPECIFICATIONS

技術資料

MATERIAL

- **Insulator:** (Black) Glass filled polyester (UL 94 V-0)
- **Contact:** Phosphor Bronze or brass
- **Surface of contact:** Gold or tin selected gold plating

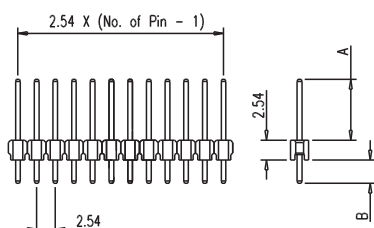
ELECTRICAL

- **Current Rating:** 4Amp continues
- **Contact Resistance:** $\leq 15\text{m}\Omega$
- **Insulation Resistance:** $\geq 5000\text{m}\Omega$
- **Withstanding Voltage:** 1000 VRMS

MECHANICAL

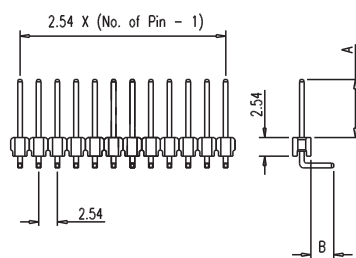
- **Retention Force:** $> 2\text{kg}$ per pin
- **Operating temperature:** -60°C to $+125^\circ\text{C}$

STRAIGHT PIN, SINGLE ROW



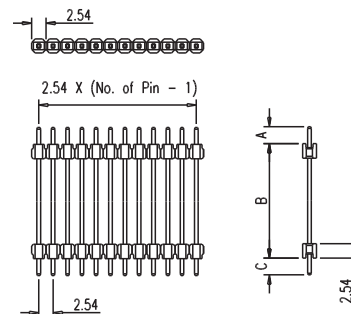
710-XX1-1X-XX

RIGHT ANGLE, SINGLE ROW



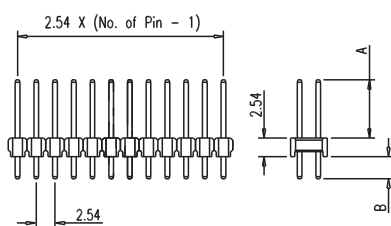
710-XX1-2X-XX

SERIES 750, SINGLE ROW



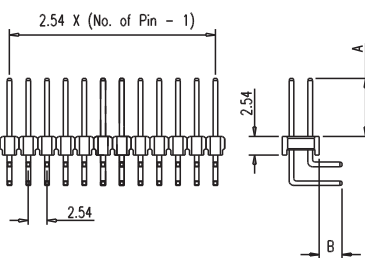
750-XX1-1X-XX

STRAIGHT PIN, DOUBLE ROW



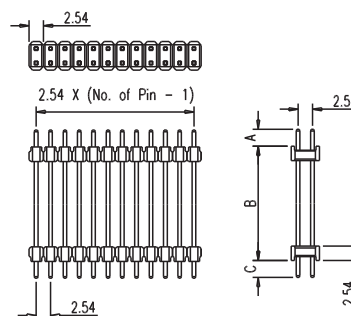
710-XX2-1X-XX

RIGHT ANGLE, DOUBLE ROW



710-XX2-2X-XX

SERIES 750, DOUBLE ROW



750-XX2-1X-XX

HOW TO ORDER 排序整理

7 X 0 - X X X - X X X - X X

Series No.
系列編號

No. of Pin
per Row
1-40 Pin
針腳數目(每行)

No. of Row	Pin Style
1	Single
2	Double

No. of Row	Pin Style
1	Straight
2	Right Angle

No.	Plating
1	Gold Flash
2	10 μ Gold Plated
3	Tin Plated

Factory
Code

KARSON
TECHNOLOGY